

embedded accessories **Specification**

# AS-NNR30VTD-XX-2 AS-NNR30VRD-XX-2

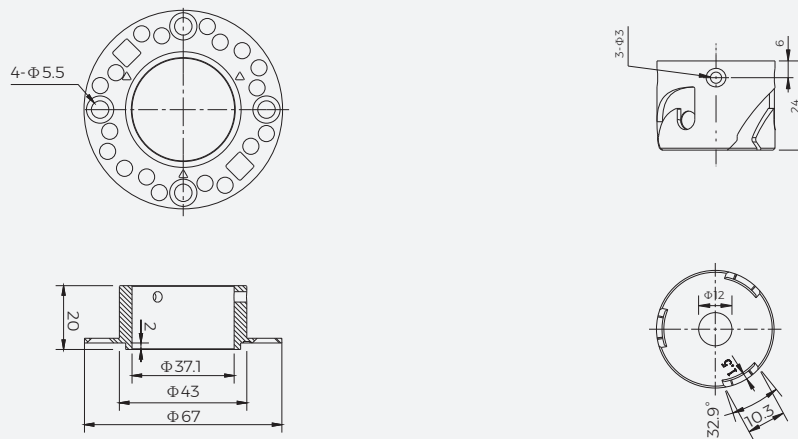


## 【Features】

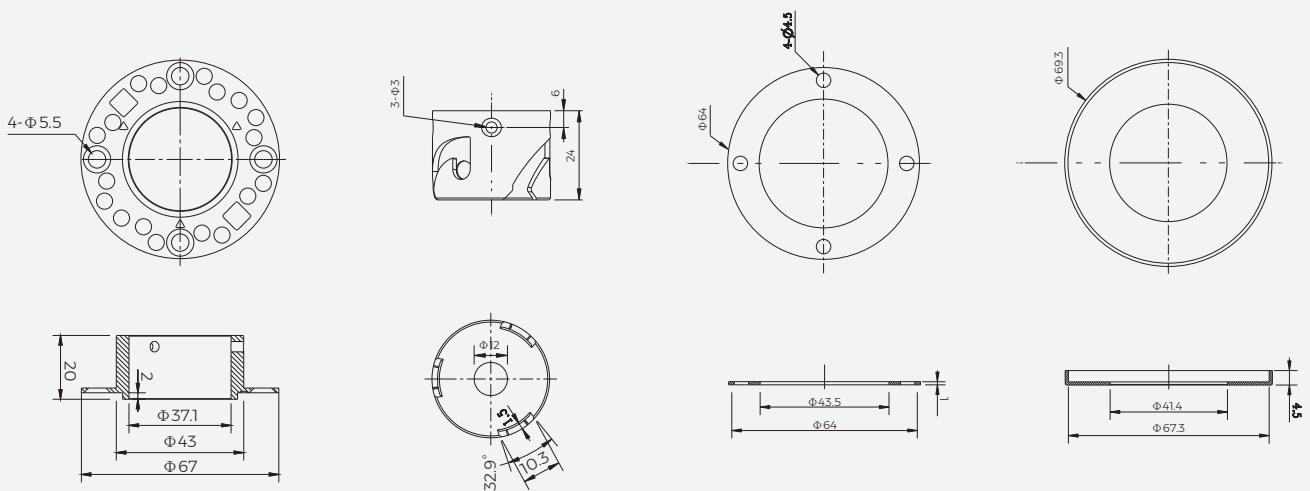
- Material: aluminum;
- Operating environment: indoor;
- Installation: screw flat mounting;
- Mounting hole size:  $\Phi 45\text{mm}$ ;
- Warranty: 6 years.

## 【Mechanical Parameter】



### AS-NNR30VTD-XX-2



### AS-NNR30VRD-XX-2



## 【Specification information】

Describe	Accessories Picture	Order model	Quantity/ case (PCS)	Net weight (kg)	Per box net weight (kg)	Gross weight (kg)	Packages (mm)	Range of applications
NNR30 Trimless embedded accessory		AS-NNR30VTD -XX-2	36	0.11	3.96	6.4	410*410*260	Appearance size: $\phi 67.2 \times 20.2$ mm Mounting hole size: $\phi 45$ mm
NNR30 Embedded accessory		AS-NNR30VRD -XX-2	36	0.18	6.48	8.9	410*410*260	Appearance size: $\phi 69.3 \times 20.2$ mm Mounting hole size: $\phi 45$ mm

## 【Precautions】

- Do not use any acid or alkaline adhesive to fix products(including not limited to glass cement,etc).
- After the installation of the lamps and lanterns is completed, do not pull violently, to avoid damage to the lamp.
- Maximum lifting weight of accessories is 4kg(No more than 5 meters).